

INSTRUCTION MANUAL & MAINTENANCE

MYGALE WITH SPRING BALANCERS WALL GANTRY



GANTRY (WITHOUT BALANCERS) *EE100804*

SPRING BALANCERS *page 3*

TABLE OF CONTENTS

1- PRESENTATION	3
1.1- <i>Gantry</i>	3
1.2- <i>Spring balancers</i>	3
2- FEATURES	4
2.1- <i>Technical data</i>	4
2.2- <i>Contents</i>	5
3- SECURITY	6
4- USE	7
5- IMPLEMENTATION	7
5.1- <i>Assembly of the gantry</i>	7
5.2- <i>Installation of the spring balancer</i>	10
5.3- <i>Adjustment of the spring balancer</i>	10
6- MAINTENANCE - CLEANING - REPAIRS	10
7- WARRANTY	11
8- CE CONFORMITY	12
9- EXPLODED VIEWS	13

1- PRESENTATION

1.1- Gantry

The MYGALE gantry is a support for sanding, drilling, bush hammering, grooving tools, etc., intended for wall work.

This gantry is composed of a frame mounted on wheels to facilitate lateral movement and stabilization against the wall.



1.2- Spring balancers



There are different load balancers compatible with our gantries, allowing you to lift machines weighing from 9 to 40 kg.

HERE ARE OUR DIFFERENT REFERENCES :

5 to 9 kg	9 to 15 kg	15 to 22 kg	20 to 30 kg	30 to 40 kg
AM100655	AM100656	AM100657	AM100658	AM100659

Icon list



CAUTION

This symbol indicates a potentially hazardous situation. If you do not follow this instruction, you risk injuring yourself or causing material damage.



NOTE

This symbol provides you with usage tips and important information.



SYMBOL ON THE DEVICE

Please read the instruction manual before starting up.



Wear safety goggles !



Instruction for disposing of the old device
(see page 8)



Temperature ! Do not touch!

2- FEATURES

2.1- Technical datas

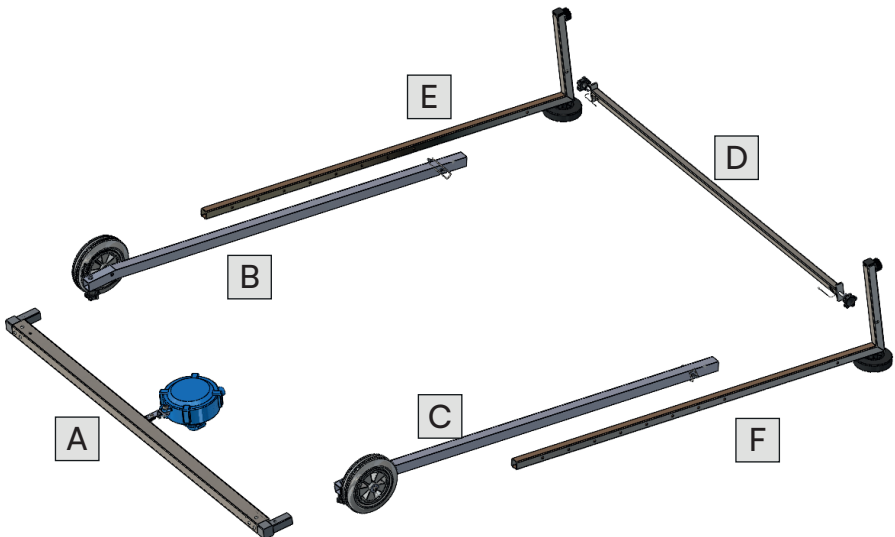
TYPE D'APPAREIL	PORTIQUE MYGALE
Reference	EE100804 (ONLY GANTRY)
Weight	26,2 kg
Max. dimensions	2,70 x 1,56 x 0,15 m
Min. dimensions	2,00 x 1,56 x 0,15 m
Max. working height	2,30 m

2.2- Contents

Unpack the package and check if the delivery is complete.

The package, which is delivered to you in a wheeled carrying bag, includes:

- A. Upper post with attached load balancer (x1)
- B. Upper left side post (x1)
- C. Upper right side post (x1)
- D. Lower crossbar (x1)
- E. Lower left side post (x1)
- F. Lower right side post (x1)
- G. M8 screws (x2)
- H. M8 nuts (x2)
- I. User and maintenance manual (x1)



3- SECURITY

Before using this gantry, please read and adhere to the contents of the following documents :

- This user manual,
- The «General Safety Instructions» governing the use of electrical devices, compiled in booklet reference 315.915/04.04,
- The rules and accident prevention requirements applicable at the implementation site.

This gantry has been constructed according to the state of the art and in compliance with recognized technical safety standards. However, its use can pose a danger and a risk of serious injury to the user or third parties.

Use this gantry only under the following conditions :

- In accordance with its intended purpose,
- In perfect technical and safe condition.

Immediately resolve any disturbances that could compromise safety.

SECURITY INSTRUCTION

Wearing protective equipment during use:

- Wrap-around safety goggles,
- Dust mask,
- Protective gloves,
- Non-slip safety shoes.

Ensure sufficient lighting, and organize the workstation suitably for the task.

Remove any obstacles that you might trip over.

In the presence of hazardous dust, wear a respiratory protection mask according to DIN/EN149. Filter category: P2

Dust extraction

To protect users and maintain the work environment in a clean state, use an integrated extraction system during operation.

Operate the device only when it is connected to a vacuum or dust extraction system. We recommend using special IETS vacuum cleaners with fine filtration systems. Do not work in areas where there is a risk of explosion. Constantly ensure that you maintain good balance.

After sales service

This product has been designed and manufactured in France by our technicians to enable you to work under the best conditions. Despite all the care we have taken in making your MYGALE, the occurrence of an anomaly is still possible. Please let us know so that we can address it as soon as possible.

IETS AFTER SALES SERVICE : 04 77 60 60 76 - sav@sept-tools.fr

4- USE

This gantry has been designed to support various types of tools and allow their effortless operation.

It can accommodate equipment such as:

- A sander
- A drill/breaker
- A crack chaser
- A bush hammer
- A planer
- Etc ...

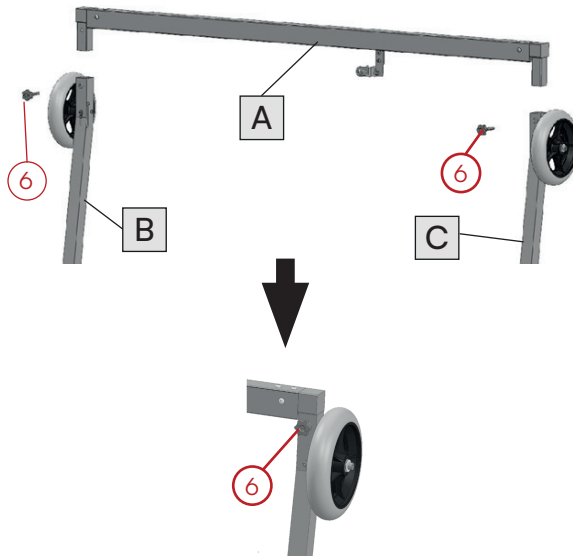
5- IMPLEMENTATION

5.1- Assembly of the gantry

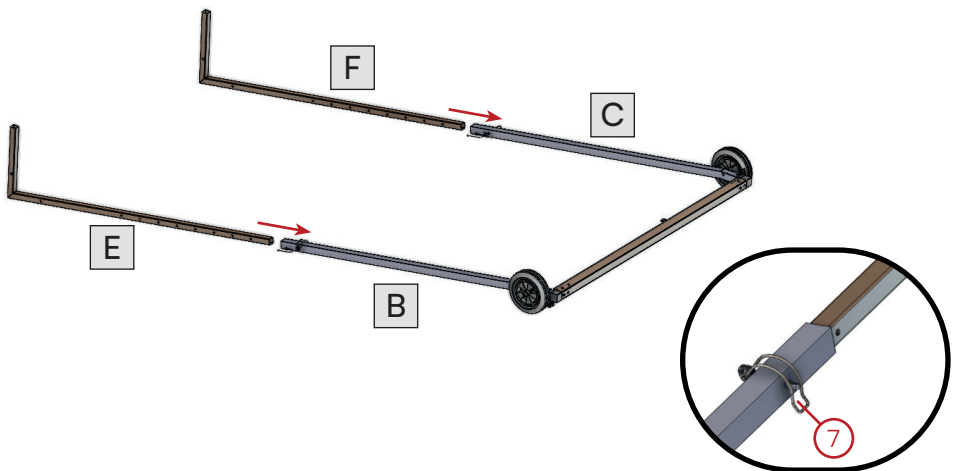
The gantry is delivered in several assembly components:

It is stored in a so-called stowed position and must be unfolded before use. The following operations should be performed on the ground.

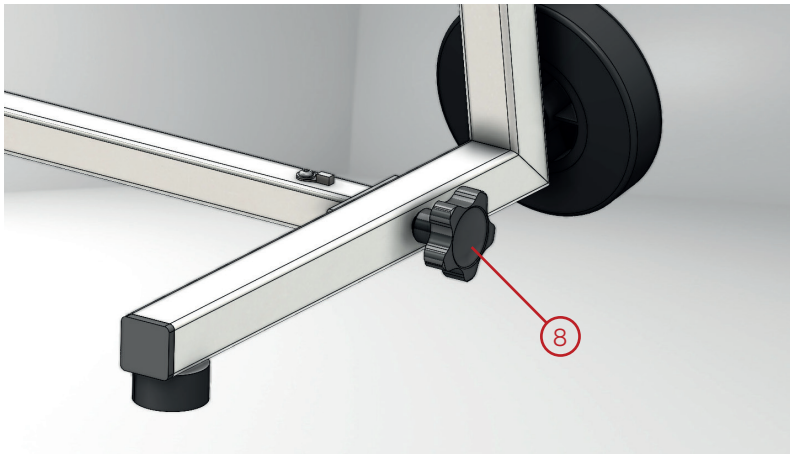
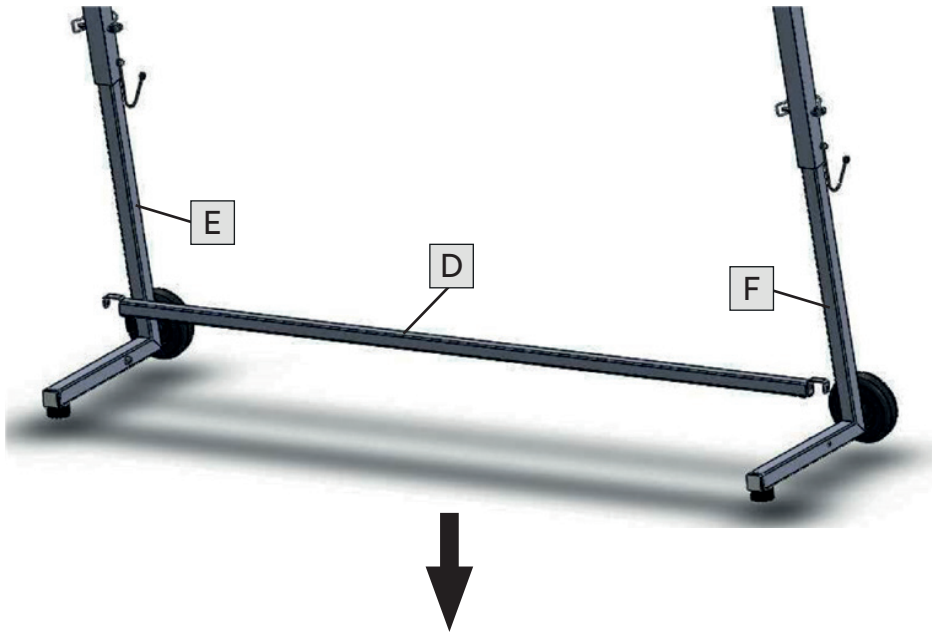
1. Position the upper beam **A** onto the two upper side posts **B** and **C** ,then secure it using the clamping screws **6**



2. Insert the upper crossbars **B** and **C** into the lower crossbars **E** and **F** , hen secure them at your desired working height using the pins **7**



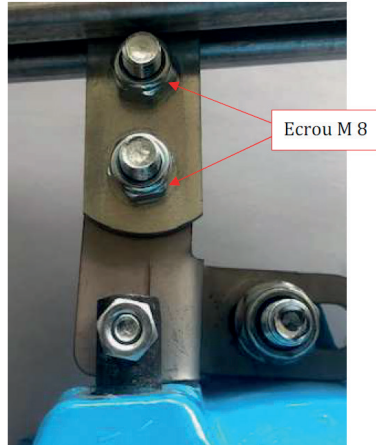
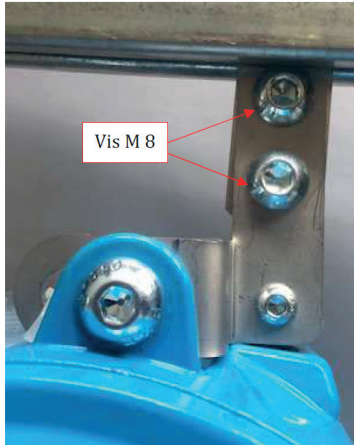
3. Install the lower crossbar **D** onto the two lower side posts **E** and **F** using the two clamping screws **8**



5.2- Installation of the spring balancer

The load balancer being already installed on the upper bar, if you need to mount or dismount it, please follow the steps below.

1. Attach the load balancer to the sliding carriage using the provided screws and nuts. (See diagram below)



5.3- Ajustment of the spring balancer



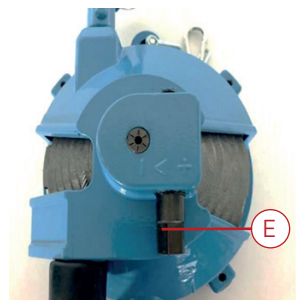
Before securing the device, ensure that the total weight of the attached machine does not exceed the load balancer's maximum capacity (15 kg).

Increase load capacity

To increase the spring tension, turn nut (E) in the + (plus) direction with a wrench.

Decrease load capacity

To increase the spring tension, turn nut (E) in the - (minus) direction with a wrench.



6- MAINTENANCE - CLEANING - REPAIRS

Preventive maintenance

A general and regular cleaning of the machine should be carried out in accordance with the user's company's guidelines.

Similarly, regularly monitor the proper functioning and tightening of the screws and nuts on the gantry and its accessories.

If an anomaly is detected, please contact our After-Sales Service.

Corrective maintenance



Any intervention by the user on the machine during the warranty period is prohibited unless expressly agreed by our company.

Beyond the warranty period, corrective maintenance interventions will be possible with the support of our after-sales service.

General cleaning

Regularly clean the gantry and its equipment.

Repairs

Only entrust repairs to a service center authorized by IETS.

7- WARRANTY

Upon purchasing a new machine, IETS provides a 2-year manufacturer's warranty.

The warranty period starts from the date of sale of the machine.

The warranty only covers defects attributable to material and/or manufacturing defects, as well as the absence of promised features.

In the event of a warranty claim, please have the original proof of purchase with the purchase date.

Warranty repairs can only be carried out by service centers authorized by IETS.

The warranty is valid only if the machine has been used properly.

The warranty does not cover wear and tear caused by use and/or inexperienced applications, machines that have been fully or partially disassembled, or damage attributable to machine overload.

Also excluded are damages caused to the tool used by the machine, damages due to the use of force, consequential damages attributable to improper or insufficient maintenance by the customer or third parties, damages caused by third-party intervention or foreign objects such as sand or stones, and damages caused by not adhering to the instructions in the manual (e.g., connecting to an incorrect voltage or power supply).

Warranty claims for tools and/or accessories will only be valid if they have been used on machines intended or authorized for such use.

Disclaimer of liability

The manufacturer and its representative shall not be held liable for damages or loss of profit due to an interruption of the worksite operation caused by the product or the inability to use it.

The manufacturer and its representative shall not be held liable for damages caused by inexperienced use of the product or by its use in conjunction with products from other manufacturers.

8- CE CONFORMITY

We declare under our sole responsibility that this product: MYGALE Gantry
Serial number : *See identification plate*

comply with the following standards or normative documents:

EN 60745, EN 55014, EN 61000,
in accordance with the provisions of the directives: 2006/95/EC, 2004/108/EC,
2006/42/EC, 98/37/EC

Products manufactured by :

IETS
30 Rue des Manufacturiers
42640 St Romain la Motte
www.sept-tools.fr

Conformity assessment bodies :

APAVE
SAS Apave Sudeurope
Agence de Saint-Etienne, 10 Allée du Technopole, BP741, 42950 St Etienne Cedex 9

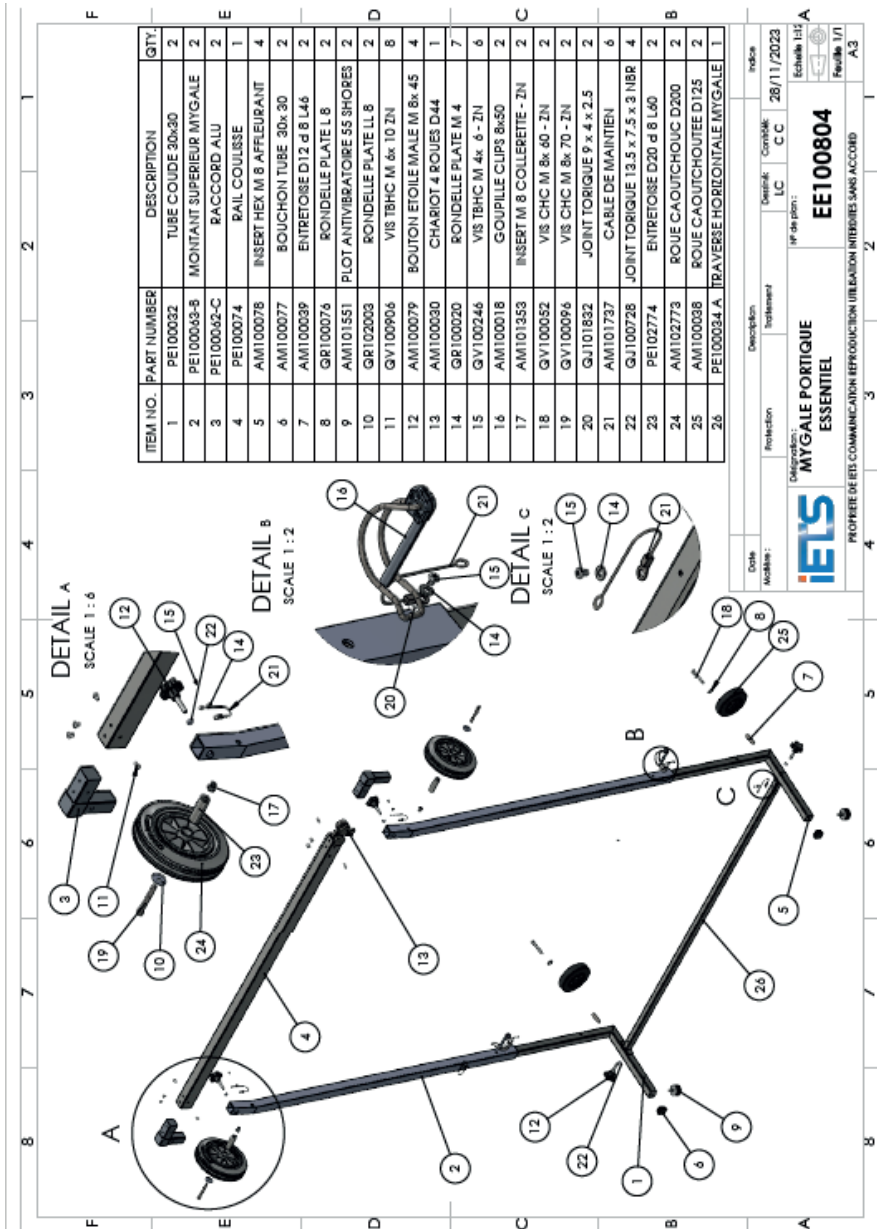
responsible for the technical documentation: IETS

Quality manager



Saint-Romaine-la-Motte, le 24/11/2023

9- EXPLODED VIEWS



Date	Description	Index
Modifié	Traitement	28/11/2023
Instruction	LC	CC
Objet	WC de plan	EE100804
Migration : MYGALE PORTIQUE ESSENTIEL PROPRIETE DE IETS COMMUNICATION REPRODUCTION UTILISATION INTERIEURES SANS ACCORD		
Echelle IETS Feuille 1/1 A3		

N ^o . ARTICLE	NUMERO DE PIECE	DESCRIPTION	QTE
1	BE100604	MYGALE PORTIQUE ESSENTIEL SEUL	1
2	AM100656	EQUILIBREUR DE CHARGE	1
3	QV101926	VIS	1
4	QV100996	VIS	1
5	GE100513	ECROU	1
6	GE101439	ECROU	1
7	QR101401	RONDELLE PLATE	1
8	QV101433	VIS	2
9	GE100490	ECROU	2
10	FE101880-A	INTERFACE CHARIOT	1

Date	Description	Projet	Tratement	Statut	Contrôle	Indexe
Matériau :				CC	CC	
Étiquetage :		N° de part. :		Date		
iELS		MYGALE PORTIQUE ESSENTIEL		30/09/2020		
PROFETE LES COMMUNICATION REPRODUCTION UTILISATION INTERDITES SANS ACCORD		CDC100385		Echelle 1:10		
				Feuille 1/1		A3

Sauf indications contraires :
 - Tolerances js/16 js/30
 - Etat de surface √

Imagined, developed, and assembled in France by



IETS
10B Impasse Cotton
42300, Roanne - France

04 77 60 60 74
contact@sept-tools.fr
www.sept-tools.fr