

USER & MAINTENANCE MANUAL

CEILING PLANER CEILING TROLLEY



CEILING PLANER *ENS103337*

ELECTRONIC SPEED CONTROLLER *VAR100355*

SUMMARY

1- INTRODUCTION	3
2- SPECIFICATIONS	5
2.1- <i>Technical data</i>	5
2.2- <i>Package contents</i>	6
3- SAFETY INSTRUCTIONS	7
4- USAGE	8
5- SETUP AND INSTALLATION	9
5.1- <i>Before Commissioning</i>	9
5.2- <i>Installing the drum</i>	9
5.3- <i>Installing the trolley</i>	9
5.4- <i>Installing the ceiling planing arm</i>	13
5.5- <i>Electrical connections</i>	14
5.6- <i>Start-up and shutdown</i>	14
5.7- <i>Adjusting the rotation speed</i>	14
5.8- <i>Miscellaneous</i>	15
6- PRECAUTIONS FOR USE	16
7- MAINTENANCE - CLEANING - REPAIRS - DISPOSAL	17
8- WARRANTY	19
9- CE COMPLIANCE	20
10-EXPLODED VIEWS	21

1- PRÉSENTATION

Our ceiling planing system, model ENS103337, is an essential product designed to deliver exceptional performance and unmatched user comfort.

It consists of a planer, a premium Eland trolley, a planing arm, and a speed control unit.

The planer is equipped with a BRUSHLESS motor, offering:

- Protection rating: IP65, making it suitable for decontamination (Asbestos)
- Very low noise level
- No vibrations
- Weight under 16 kg (planer only)

The premium Eland trolley allows:

- Effortless use
- Operation at heights of up to 3.8 meters

The planing arm ensures stable support for the planer

The electronic speed control unit allows full control of the planer's motor:

- Protection rating: IP65, suitable for decontamination (Asbestos)
- Precise speed adjustment
- Monitoring of proper operation and safety management

To carry out your planing operations, you will also need:

- One of our planing drums, to be selected from our range according to the material to be processed.

Using our official drums is essential to:

- Maintain warranty coverage and protection against hidden defects
- Ensure user safety
- Guarantee optimal planing performance

SYMBOL LIST



CAUTION

This symbol indicates a potentially dangerous situation. Failure to follow this instruction may result in personal injury or material damage.



NOTE

This symbol provides usage tips and important information.



SYMBOL ON THE DEVICE

Before commissioning, please read the instruction manual.



Wear safety goggles !



Disposal instruction for the old device



Hot surface ! Do not touch !

2- SPECIFICATIONS

2.1- Technical datas

TYPE D'APPA-REIL	CEILING ARM	SPEED CONTROLLER	ELAND TROLLEY
RÉFÉRENCE	BPO103338	VAR100355	CPO100405
IP RATING	IP65	IP65	
Ø DRUM	90 mm		
DRUM LENGHT	165 mm		
POWER OUTPUT	1600 W		
ROTATION	4 800 t/min		
VOLTAGE	110 / 220		
VIBRATION	0.35 M/S ²		
SOUND LEVEL	59 dB		
WEIGHT	16 KG	7 KG	36 KG
DIMENSIONS MAX	1.60 x 0.66 x 0.35 m		
DIMENSIONS MIN	0.65 x 0.66 x 0.35 m		

2.2- Package contents

Déballez le colis et vérifiez si la livraison est complète.

Le colis comprend :

- A. Planing arm (x1)
- B. Electronic speed controller (x1)
- C. Premium eland (x1)
- D. Electronic speed controller support (x1)
- E. 6 mm hex key (x1)
- F. Ø90 diamond drum (x1)
- G. User and Maintenance Manual (x1)



3- SAFETY INSTRUCTIONS

Before using this ceiling planing system, please read the following documents carefully:

- This User Manual
- The «General Safety Instructions» governing the use of electrical equipment, provided in the attached booklet (reference: 315.915/04.04)
- The accident prevention regulations applicable at the place of operation

This ceiling planing system has been manufactured in accordance with the state of the art and complies with recognized safety standards.

However, its use may still present a risk of serious injury to the operator or to third parties.

Only use this ceiling planing system under the following conditions:

- In accordance with its intended use
- In proper working order and with full operational safety
- Immediately correct or have corrected any malfunction that could compromise safety.

Personal protective equipment must be worn during use:

- Wraparound safety goggles
- Dusk mat
- Protective gloves
- Non-slip safety shoes

Ensure that the work area is well-lit and properly organized for the task at hand.

Remove any obstacles that could cause tripping hazards.

When working in the presence of hazardous dust, wear a respiratory protection mask compliant with DIN/EN149, filter category: P2.

Dust extraction

To protect users and maintain a clean working environment, an integrated dust extraction system must be used during operation.

Operate the machine only when it is connected to a vacuum cleaner or a dust extraction unit.

We recommend using IETS special vacuum cleaners with fine filtration systems.

Do not work in areas where the atmosphere may pose an explosion risk.

Always maintain proper balance and a stable stance while working.

S.A.V

This planer was designed and manufactured in France by our technicians to ensure you can work in the best possible conditions.

Despite the great care taken in the production of your planer, the occurrence of a malfunction remains possible.

Please do not hesitate to inform us of any issue so that we can resolve it as quickly as possible.

04 77 60 60 76 - sav@sept-tools.fr

4- USAGE

The ceiling planing system is a manually guided tool designed for ceiling applications. Its straight and balanced body ensures effortless operation, even in hard-to-reach areas.

ELAND Trolley

This system is equipped with a trolley specifically designed to support the tool and allow for easy handling.

The trolley consists of:

- A frame that provides both stability and mobility for the machine
- An adjustable-height mast, allowing the equipment to be positioned at the desired working height

The ELAND trolley is fitted with a set of two large-diameter wheels and a swiveling caster wheel equipped with dual locking mechanisms (rotation and pivot). This design facilitates movement both during operation and between work phases, while ensuring a stable working position.

Diamond drum

This system is equipped with a planer designed to remove layers of paint, coatings, glue residues, and concrete burrs from formwork surfaces. It is also suitable for roughening screeds and leveling joints, using planing drums.

There are different types of drums, each with a structure adapted to the specific material to be planed.

The use of planing drums must comply with the following conditions:

- Drums must be sold by us or approved by our technical department
- The bore inside the drum must fit the drive shaft precisely, without play or pre-tension. Do not use reducers or adapters
- The drum must be secured to the planer's shaft using the lock nut supplied with the machine
- Both the drum and the lock nut must be in perfect condition
- The mounted drum must rotate freely within the protective housing



The use of drums not approved by our technical department is not only ineffective and dangerous, but will also void the warranty. IETS accepts no responsibility for any damage and/or injury resulting from the use of drums that have not been officially approved.

5- SETUP AND INSTALLATION

5.1- Before commissioning

Check that the voltage indicated on the machine's nameplate matches the power supply voltage.

5.2- Installing the drum



Only use the original lock nut supplied with the machine and IETS certified drums.

First-time installation:

1. Place the drum onto the drive shaft after having removed the lock nut and the drum guard beforehand. The drum fits in only one direction.
2. Tighten the lock nut using the 6 mm hex key.
3. Remove all tools and store them in the transport case.
4. Check that the drum is correctly seated on the drive shaft.
5. Reinstall the drum guard using the hex key and the three TFHC screws.

5.3- Installing the trolley

The trolley is delivered in several components that must be assembled:

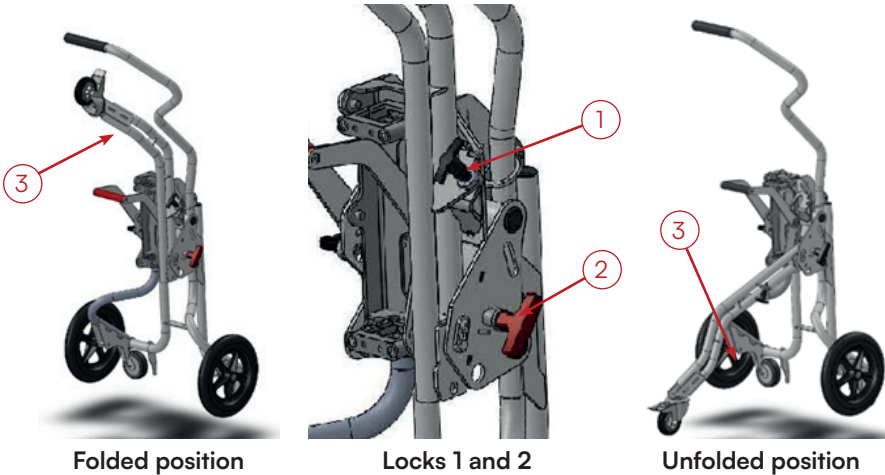
- The trolley base
- The telescopic mast
- The mast mounting kit

The trolley is stored in a folded (storage) position and must be unfolded before use. The following assembly steps must be carried out on a flat, level surface.

Positioning the trolley

Unfold the support leg

Before fully extending the trolley to its maximum open position, the support leg must be unfolded.



To switch from the folded position to the unfolded position, proceed as follows:

1. Pull on locks Ref. 1 and Ref. 2
2. While keeping the trolley upright, guide the leg (Ref. 3) down to the floor
3. Once the leg is fully unfolded, close lock 2 by pushing it back into place



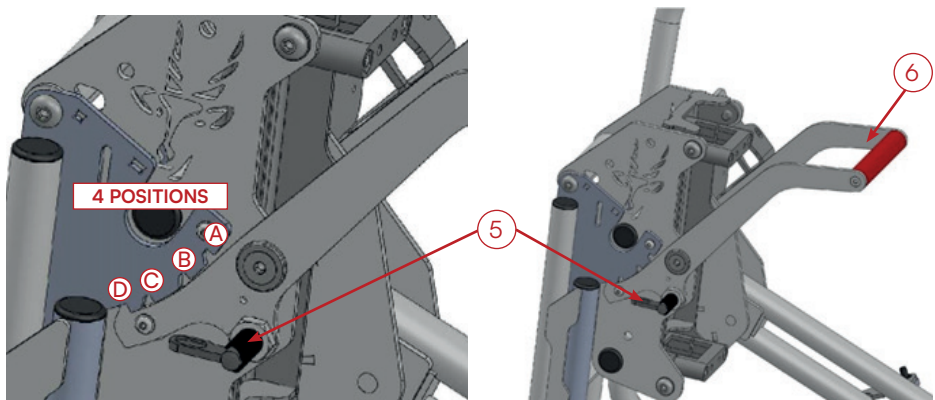
Hold the leg near the caster wheel to avoid pinching your hand between other parts of the trolley.

Put the trolley in work position

The ELAND trolley offers four positions, each corresponding to a specific use:

- Full extension for maximum stability during sanding operations (Position A)
- Folded position to facilitate transport by rolling, especially on stairs (Position D)
- Two intermediate positions for non-sanding applications such as panel lifting, pipe lifting, etc. (Positions B and C)

These positions are set by rotating the system, using Lock 5 and lever 6 to adjust accordingly.



Once the fully open position is reached, use the lock 5 to secure it in place.

The working position corresponds to the full extension of the trolley.

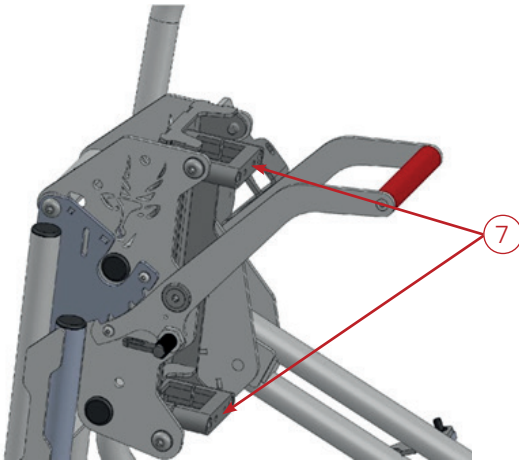
Installing the mast

The mast must be installed with the trolley in the fully open position and the caster brake engaged.



Engaging the caster brake prevents the unintentional movement of the trolley, even on slightly sloped surfaces.

Remove the two half-shells (Ref. 7), then position the mast at the desired height using the adjustment label as a guide.



Tighten the two half-shells (Ref. 7).

The vertical leveling of the mast was pre-set at the factory with the trolley in the fully open position.

If, during use, you notice that this alignment is no longer maintained, please contact us so we can assess and determine the appropriate corrective action with you.

5.4- Installing the ceiling planing arm

Once the drum is installed and the trolley is fully set up, install the ceiling planing arm equipped with the RAB103069 planer onto the trolley.

After inserting the planing arm into the trolley, lock it into position using the small pin on the telescopic mast.

First-Time Setup:

1. Connect the planing unit cable to the electronic control box
2. Plug the male connector of the control box into a suitable power outlet



When using a generator, it is essential to start the generator before connecting the control box to it.

3. Switch the system ON and let it run for approximately 30 seconds.
Check for the absence of vibrations.
4. Switch the planer OFF.

Drum replacement :

1. Unplug the male connector of the control box from the power outlet
2. Remove the planing arm from the trolley



Removing the arm can be hazardous. Protective equipment is recommended.

3. Loosen the lock nut using the 6 mm hex key
4. Remove the drum
5. Repeat the steps described in the drum installation section and then reinstall the planing arm



The drum to be replaced may be hot — handle with care.

5.5- Electrical connections

The electronic speed control box must be connected to a stable power source. The use of a generator is permitted only if it is equipped with an inverter.

It is essential to follow the steps in the following order:

1. Connect the planing system to the control box
2. If applicable, start the generator
3. Connect the control box to the main power supply
4. Connect the vacuum hose to the planer by inserting it onto the extraction outlet

5.6- Start-up and shutdown

Start-Up: Press the switch to the ON position

Shutdown: Press the switch to the OFF position

5.7- Adjusting the rotation speed

A potentiometer located on the control box allows for precise adjustment of the rotation speed, ensuring high-quality work.

5.5- Miscellaneous

Electrical protection

The planer's control box is equipped with monitoring devices to ensure proper operation.

If the electrical current exceeds a certain amperage threshold, the planer will automatically shut down.

The planer will restart automatically after 5 seconds.

If the system detects five consecutive faults, follow this procedure to restart the machine:

1. Release the handles
2. Unplug the control box from the main power supply
3. Wait 10 seconds
4. Plug the control box back in
5. Switch both handles ON

Extension cords

Using an extension cord to connect the control box to the main power supply is permitted.

The cable must have a minimum cross-section of 2.5 mm² (4 mm² if a vacuum cleaner is connected at the same time).



No other devices should be connected to the extension cord.

6- PRECAUTIONS FOR USE

Electrical hazards

The outer casing of the drive motor must not be damaged under any circumstances, as this could create a risk of electric shock.

If the power cord or its male plug is damaged, they must be replaced immediately.

Mechanical hazards

If strong vibrations occur, immediately switch off the machine and check the drum's mounting.

If the drum is correctly secured, remove the machine from the work area and contact the maintenance service for after-sales support.

To prevent the drum from getting caught on an object and damaging itself or its transmission components, do not apply the drum against sharp edges or metal objects.

Health and safety hazards

While operating the machine, make sure your clothing cannot be caught in any moving parts.

After the machine is switched off, the drum may continue rotating briefly due to inertia. Never hold the machine by the bottom or by the extraction outlet, as this may cause hand injury or damage to the drum guard.

Always connect the vacuum hose to the machine's dust extraction port.

Handling instructions

When operating the machine, always hold it with both hands.

Before performing any work or maintenance on the machine, always unplug the male connector of the control box from the power outlet.

Storage

Always place the machine in a secure location to prevent it from falling, for example from a scaffold, and ensure that the switch paddles cannot be triggered unintentionally.

Protect the diamond drums from shocks and impacts.

8- MAINTENANCE — CLEANING — REPAIRS — DISPOSAL

Preventive maintenance

The machine must undergo general and regular cleaning in accordance with the user company's internal procedures.

In addition, the proper functioning and tightening of screws and nuts on the planer and its accessories must be checked regularly.

If any malfunction or anomaly is detected, please contact our After-Sales Service.

Corrective maintenance



Any intervention by the user on the machine during the warranty period is prohibited, unless expressly authorized by our company.

After the warranty period, corrective maintenance operations may be carried out with the support of our after-sales service.

General cleaning

Regularly clean the planer and its control box.
The cleaning frequency depends on the material being planed and the duration of use.

Planer cleaning

Cleaning with water is allowed, but high-pressure washing is not permitted.
Remember to clean the machine's extraction duct, which may become clogged with moist dust, for example.

Electronic controller cleaning

Cleaning with water is allowed, but do not use high-pressure washing.
Opening the control box (removing the cover) is strictly prohibited.

Repairs

Repairs must only be carried out by an IETS-authorized after-sales service center.

Disposal instructions



When disposing of the equipment, remove the power cord to make the device inoperable.

In accordance with European Directive 2002/96/EC on waste electrical and electronic equipment (WEEE), and its transposition into national law, used power tools must be collected separately and recycled through an environmentally friendly system.

9- WARRANTY

When purchasing a new machine, IETS offers a 2-year manufacturer's warranty.

The warranty period begins on the date of sale of the machine.

The warranty covers only defects resulting from material and/or manufacturing faults, as well as the absence of guaranteed properties.

To make a warranty claim, you must provide the original proof of purchase showing the date of purchase.

Warranty repairs may only be carried out by IETS-authorized service centers.

The warranty is valid only if the machine has been used in accordance with its intended purpose.

The warranty does not cover, in particular:

- The use of drums not approved by our technical department
- Wear and tear due to use and/or unskilled applications
- Machines that have been partially or fully disassembled
- Damage due to machine overload

Also excluded from the warranty are:

- Damage caused by the machine to the tool being used
- Forceful use, or consequential damage due to inadequate or improper maintenance by the user or third parties
- Damage caused by third-party intervention or foreign objects such as sand or stones
- Damage caused by non-compliance with the user manual (e.g., connection to an incorrect voltage or power supply type)

Warranty claims for tools and/or accessories are only valid if these items were used with machines designed or approved for such use.n.

Disclaimer of liability

The manufacturer and its representative shall not be held liable for any damages or loss of profit resulting from worksite downtime caused by the product or the inability to use it.

The manufacturer and its representative shall also not be held liable for any damage resulting from unskilled use of the product or from its use in combination with products from other manufacturers.

10- CE COMPLIANCE

We hereby declare, under our sole responsibility, that the following product:
D90L165 Planer for Walls and Floors and its Electronic Control Box
Serial Numbers: [See identification plates](#)

Are in conformity with the following standards or standard documents:
EN 60745, EN 55014, EN 61000, in accordance with the provisions of the directives:
2006/95/EC, 2004/108/EC, 2006/42/EC, 98/37/EC.

Equipment manufactured by:

IETS
10B Impasse Cotton
42300 ROANNE
www.sept-tools.fr

Person responsible for compiling the technical documentation: IETS

Quality Manager: Pierre-Antoine BOTTAZZI



at Roanne, the 05/12/2024

11- EXPLODED VIEWS

NO. ARTICLE	NUMERO DE PIECE	DESCRIPTION	QTE
1	FEI03170		1
2	FEI03168	MOTEUR BRUSHLESS	1
3	FEI03169		4
4	GV103075	VE CHC M 8x2.40 - ZN	4
5	FEI03165		1
6	GV103189	VE	4
7	GV103190		2
8	GV103175	VE	2
9	GV103176	VE	2
10	GV103175	VE	2
11	GV103175	VE	2
12	GV103174	VE	2
13	FEI03175		2
14	GV100992	VE	2
15	FEI03185		1
16	FEI03189		1
17	FEI03174		2
18	GV100926	VE CHC M10x25 - ZN	2
19	GV100926	VE CHC M10x25 - ZN	2
20	FEI03187		2
21	GV103186	VE	4
22	FEI03188		3
23	GV103193	VE THC M 5x1.6 - ZN	1
24	FEI03193		1
25	GV103193	VE THC M 5x1.6 - ZN	1
26	FEI03194	BOIGNEE PETROTAM	1
27	FEI03199	BOIGNEE PETROTAM	1
28	FEI03028	INFERIEUR ASSEMBLE	2
29	GV103029	VE THC M 4x25 - ZN	4
30	FEI0346-A	COUVRELE BOIE PETROTAM	1
31	FEI0344MO	BOIE ALU MOULEE	1
32	GV101741	VE THC M 4x30 - ZN	2
33	GV101741	VE THC M 4x30 - ZN	2
34	AEI01298	PRESSE ETOUPE M12 - M67	2
35	AEI00151	PRESSE ETOUPE M16	2
36	AEI01618	CABLE COFFRET LONGUEUR 5 m	4
37	GV100991	VE	4
38	GV101279	VE	4
39	FEI03200-		1
40	GV100926	VE M 8x20 - ZN	4
41	GV100727	RONDELLE D16x32	4
41	GV100138	VE CHC M 8x25 - ZN	5

IEIS
 PROPRETE DE SES COMMUNICATIONS REPRODUCTION STRICTEMENT INTERDITE S.A.NE ACCORD

Désignation : **Vue éclatée**
Robot D90 L165
EEI03130

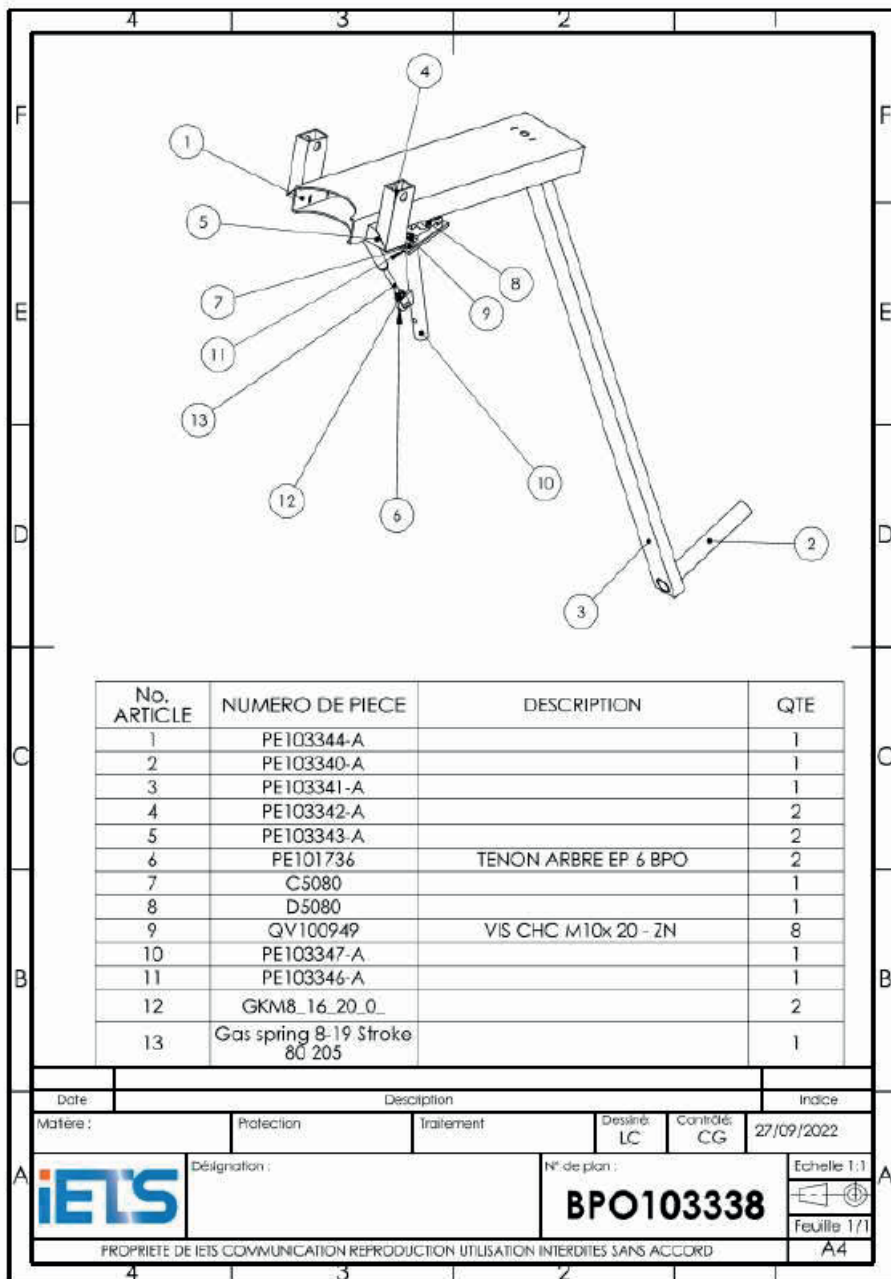
N° de plan :
EEI03130

Echelle 1/1
 Feuille 1/1
 A3

Date : 09/02/2022
 MCH : G.C.

NO. ARTICLE	NUMERO DE PIECE	DESCRIPTION	QTE
1	EE100850	ELAND CHARIOT PREMIUM ASSEMBLE	1
2	EE100027	MAT CREMAILLE EQUIPE	1
3	QV100758	COLLIER DE SERRAGE	2
4	QV100284	VIS	4

DATE	Signature	Matériau	Contrôle	IN504
MATÉRIE	Protections	Normes	C.C.	05/10/2020
Désignation: ELAND CHARIOT PREMIUM CPO100405 1 ^{er} de part:				
Schéma 17 Figure 11 PROPRETE DE ET COMMUNICATION REPRODUCTION UTILISATION NÉCESSAIRE SANS ACCORD				



Imaginé, développé et assemblé en France par



IETS
30 Rue des Manufacturiers
42640, Saint-Romain-la-Motte - France

+33 477 606 074
contact@sept-tools.fr